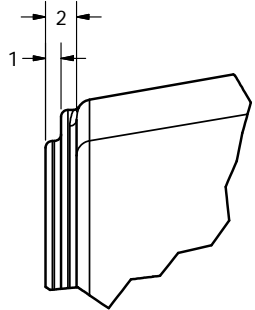
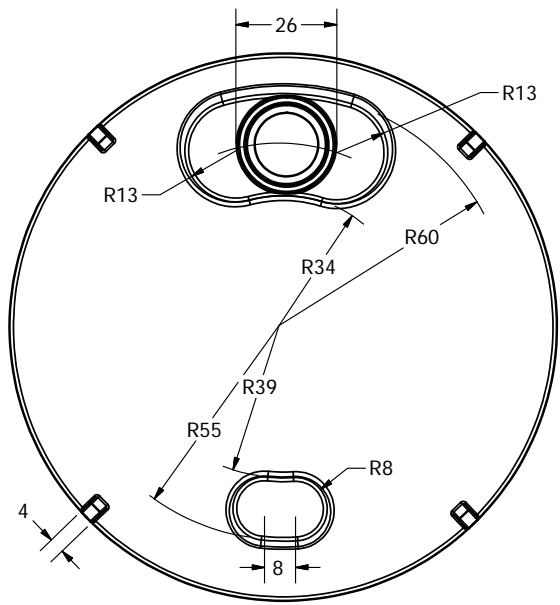
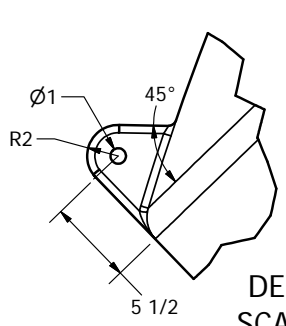
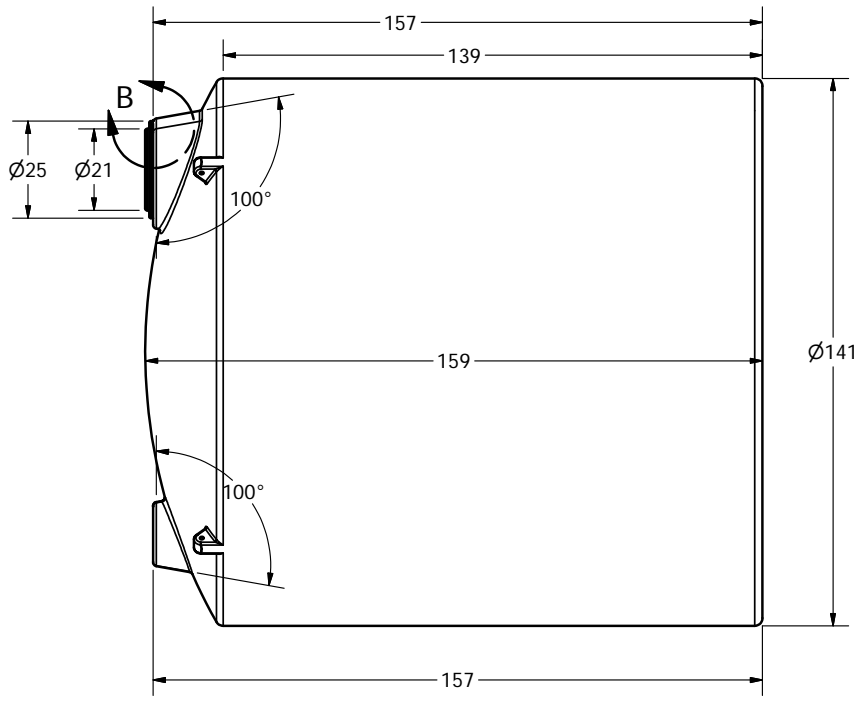


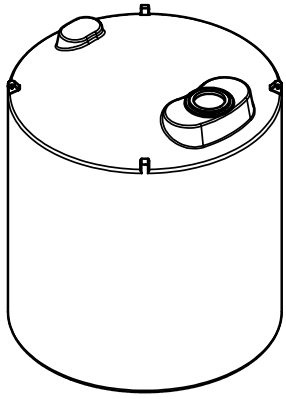
| REVISION HISTORY | | | |
|------------------|---------------|--------------------------------|------------|
| REV | AUTHOR | DESCRIPTION | DATE |
| A | Jerry Paulson | Removed Washington Court House | 01/28/2010 |



DETAIL B
SCALE 1 / 8



DETAIL A
SCALE 1 / 8



FOB FAIRFIELD, TX



| | | | |
|------------------------|-----------|--|--------------|
| DRAWN Jerry Paulson | 10/3/2006 | | |
| CHECKED | | | |
| QA | | TITLE | |
| MFG | | 10,000 GALLON VERTICAL INDUSTRIAL TANK | |
| APPROVED | | SIZE B | REV A |
| | | SCALE: 1/32 | SHEET 1 OF 1 |