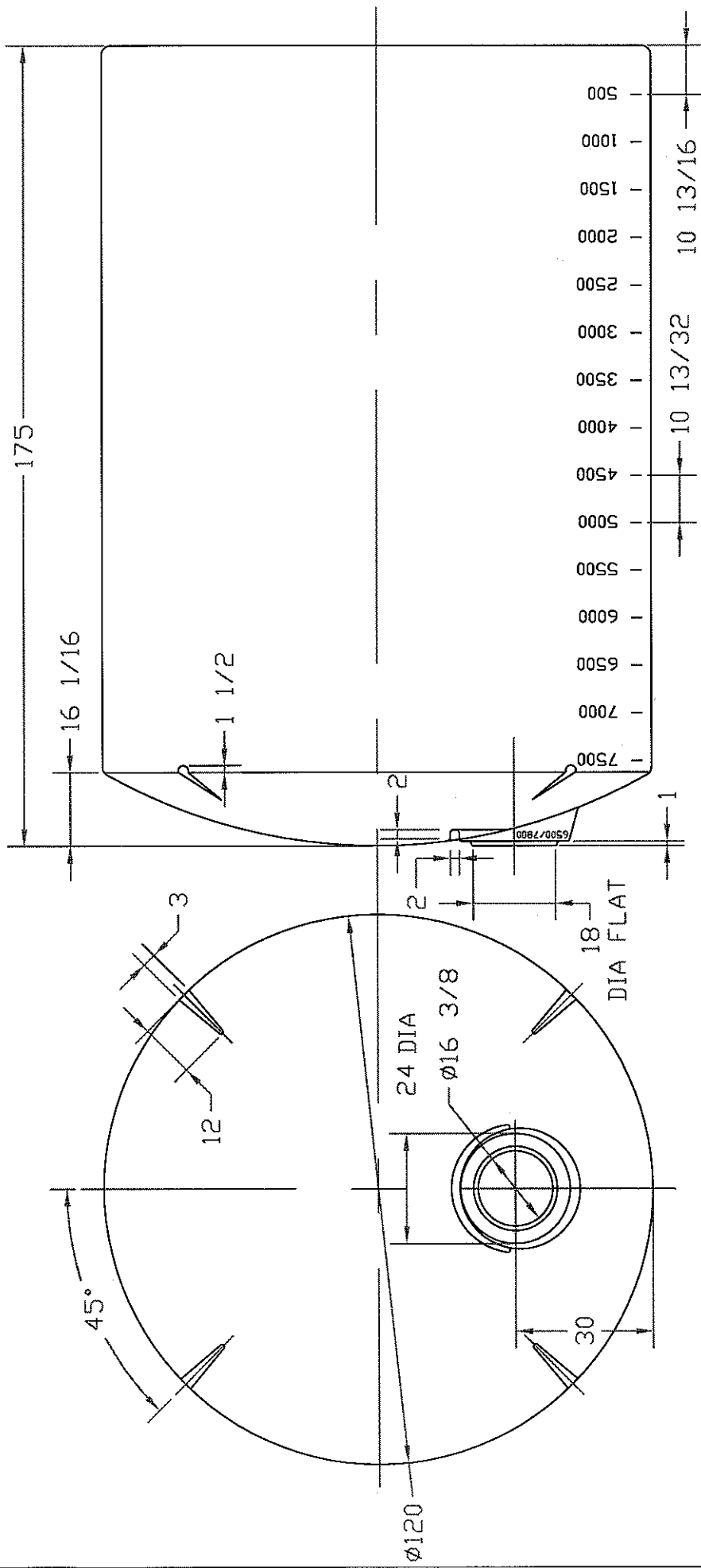


REVISIONS			
ZONE	REV	DESCRIPTION	DATE



	ST. BONIFACIUS, MN		REV
	7800 GALLON VERTICAL TANK		DWG NO.
	SIZE	FSCM NO.	SCALE
JTP	19AUG94	B	1/24
SHEET			SHEET