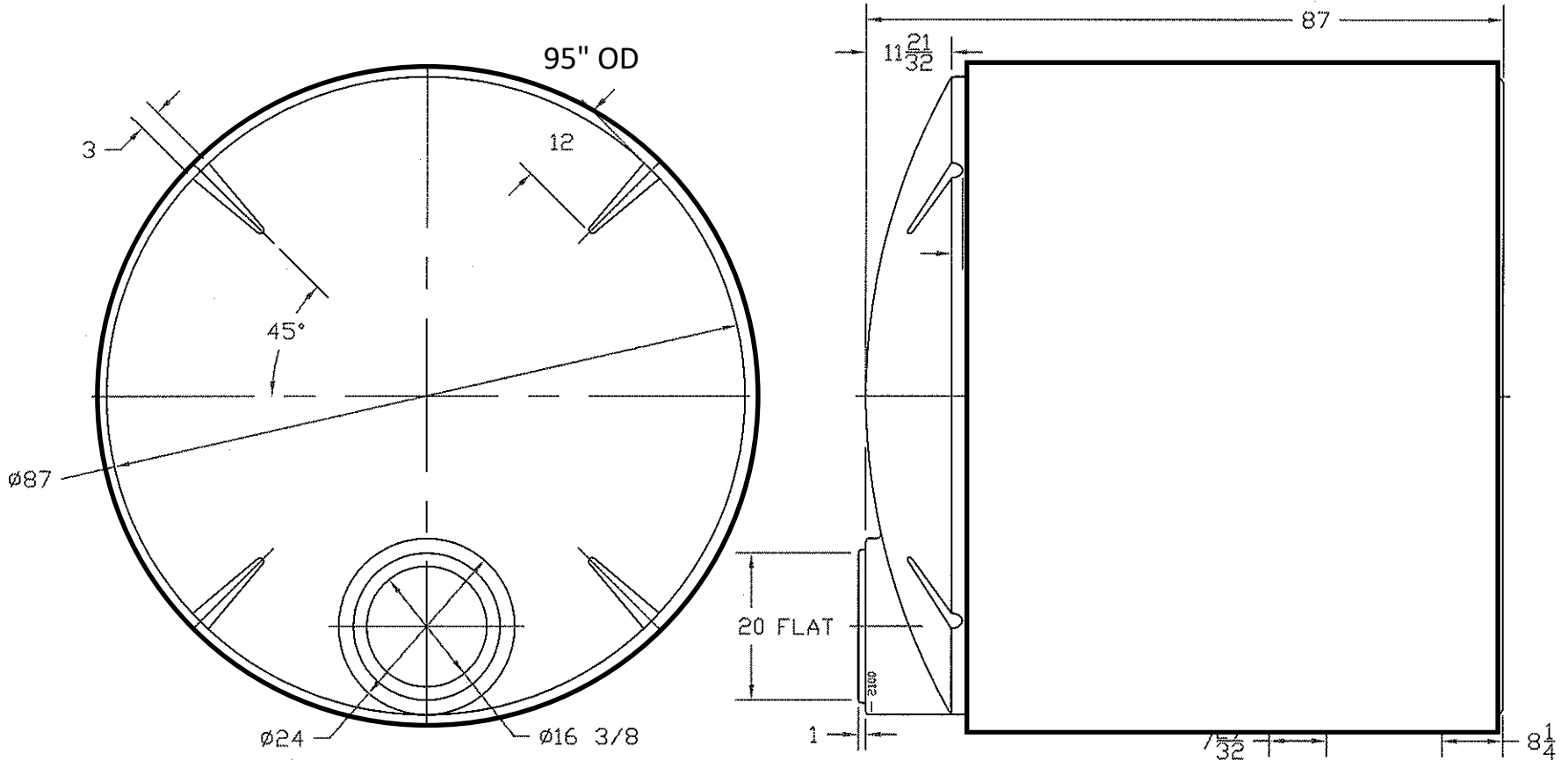


REVISIONS				
ZONE	REV	DESCRIPTION	DATE	APPROVED
	A	REDRAWN	02JAN97	



Bailiff Enterprises, Inc. 2100 gallon double wall tank High Density Polyethylene					
JTP	19AUG97	SIZE B	FSCM NO.	DWG NO.	REV A
SCALE 1/16			SHEET		