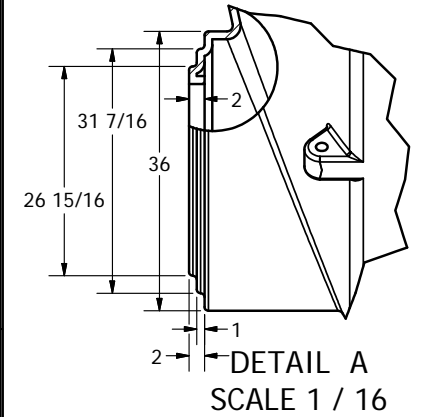
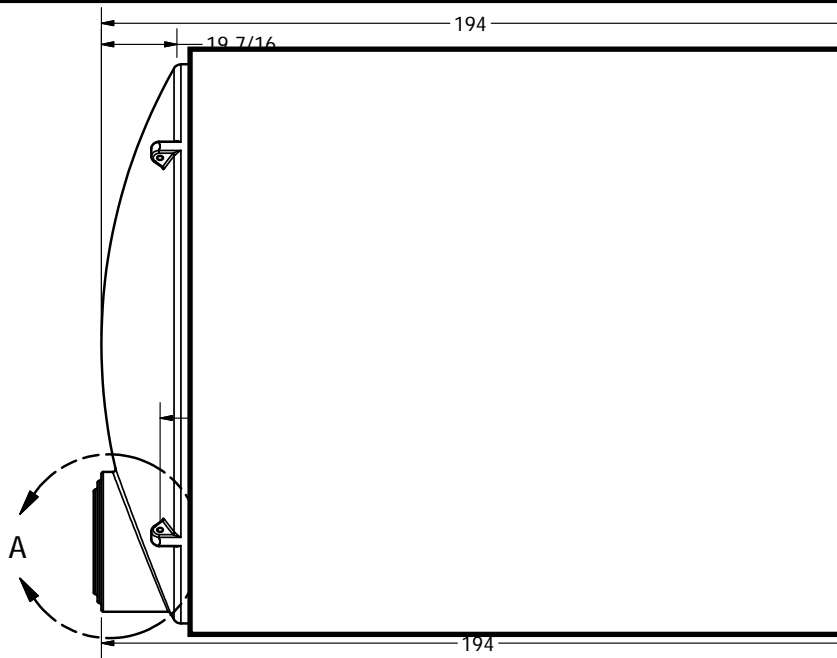


165" diameter



DRAWN		BAILIFF ENTERPRISES, INC. 305 E ROGERS ROAD, WILLIS, TX 77378		
CHECKED				
QA		TITLE 13,000 GALLON DOUBLE WALL VERTICAL HDPE TANK		
MFG				
APPROVED				
		SIZE B	DWG NO	REV
		SCALE: 1/32	SHEET 1 OF 1	