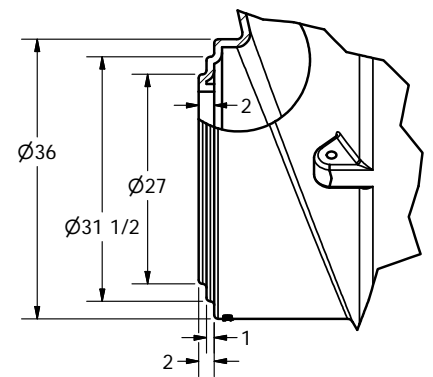
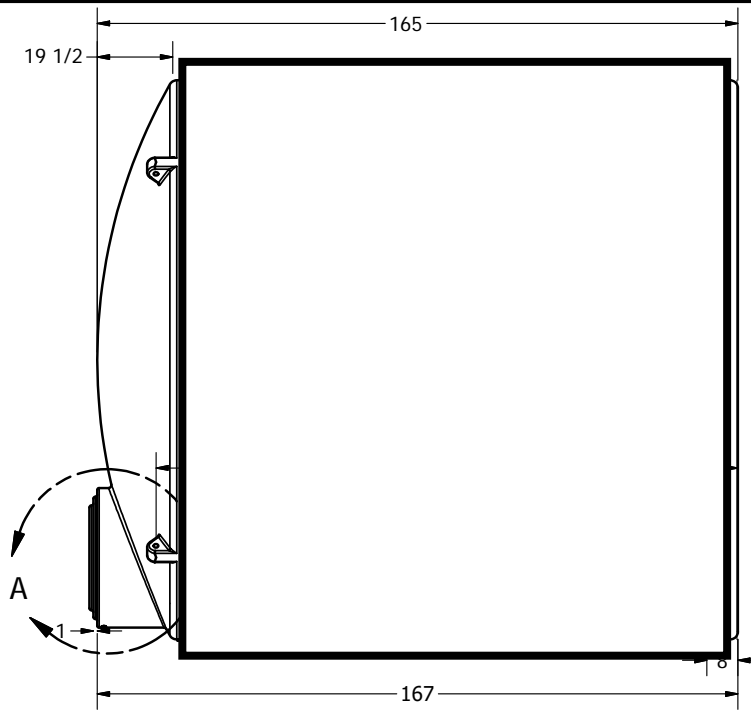


165" diameter



DETAIL A  
SCALE 1 / 16

DRAWN		BAILIFF ENTERPRISES, INC. 305 E ROGERS RD, WILLIS TX 77378		
CHECKED				
QA		TITLE		
MFG		11,000 GALLON DOUBLE WALL VERTICAL HDPE TANK		
APPROVED		SIZE	DWG NO	REV
		B		
		SHEET 1 OF 1		