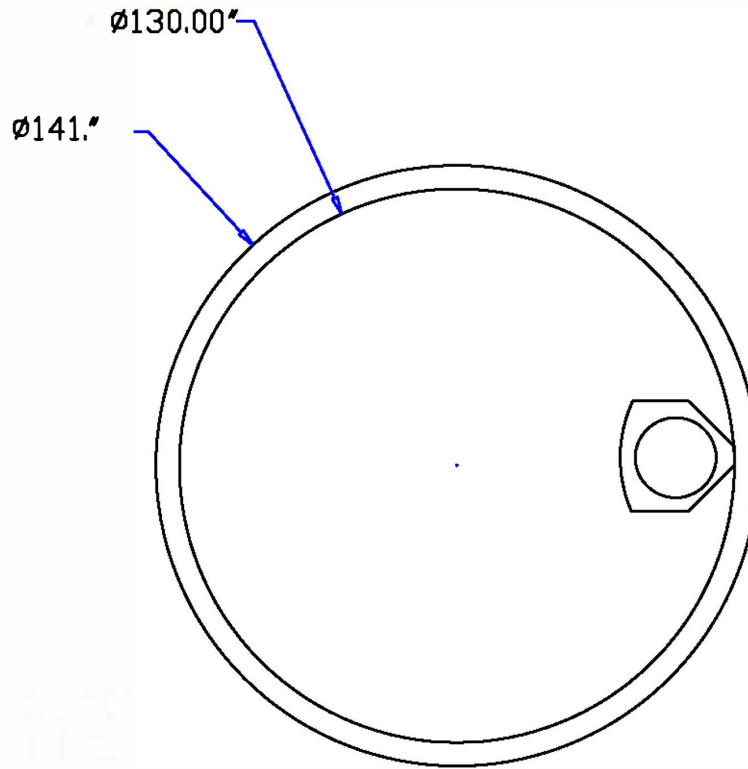
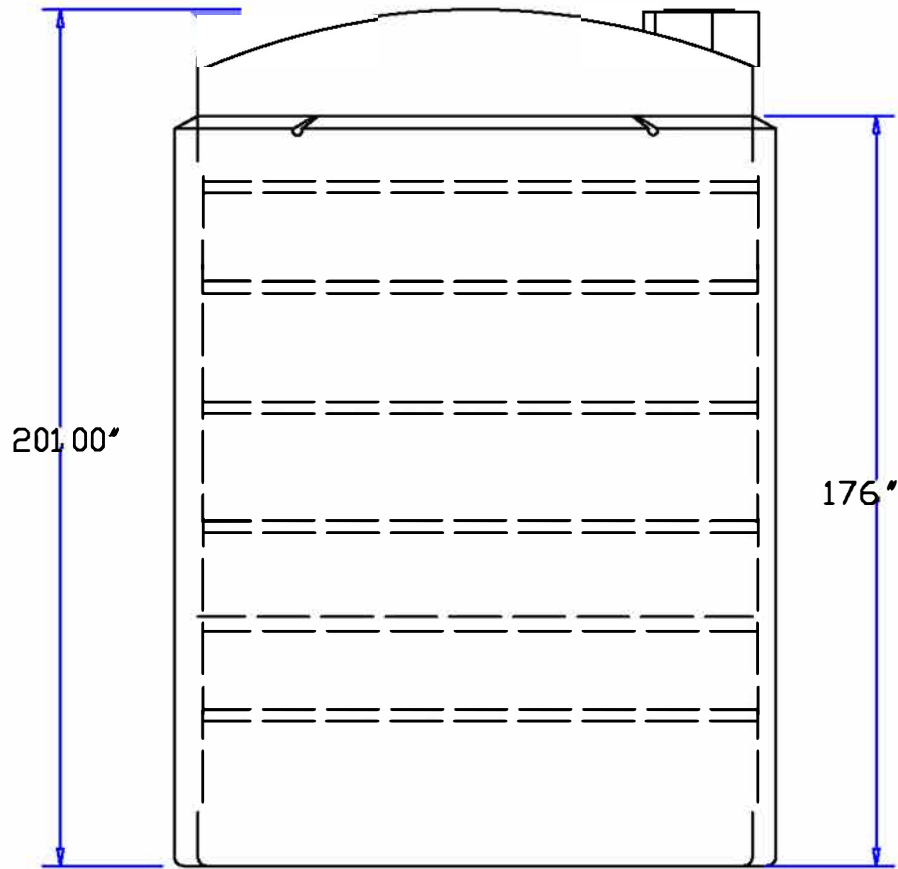


10500 GALLON VERTICAL DUAL CONTAINMENT



OUTER TANK=12,000 GALLONS
INNER TANK= 10,500 GALLONS

				DRAWN / DATE		MATERIAL / SHOT WEIGHT		BAILIFF ENTERPRISES, INC. 302 N THOMASON, WILLIS, TEXAS 77378 PHONE (936) 890-7777 FAX 281-999-1223	
				APPRD. / DATE		HDPE 1.9 - 4650LBS. 1.5 - 4250LBS.			
REV	DESCRIPTION	DATE	APPRD			(281) CLIENT / DESCRIPTION		10500 GALLON DUAL CONTAINMENT	
ALL DIMENSIONS ARE IN DECIMAL INCHES TOLERANCES UNLESS OTHERWISE SPECIFIED $\pm .5\% @ 68^\circ F$				THIRD ANGLE PROJECTION ANSI 14.5M 		NOTES:		SCALE	PART NO.
								N.S.	10500 DUAL CONT.