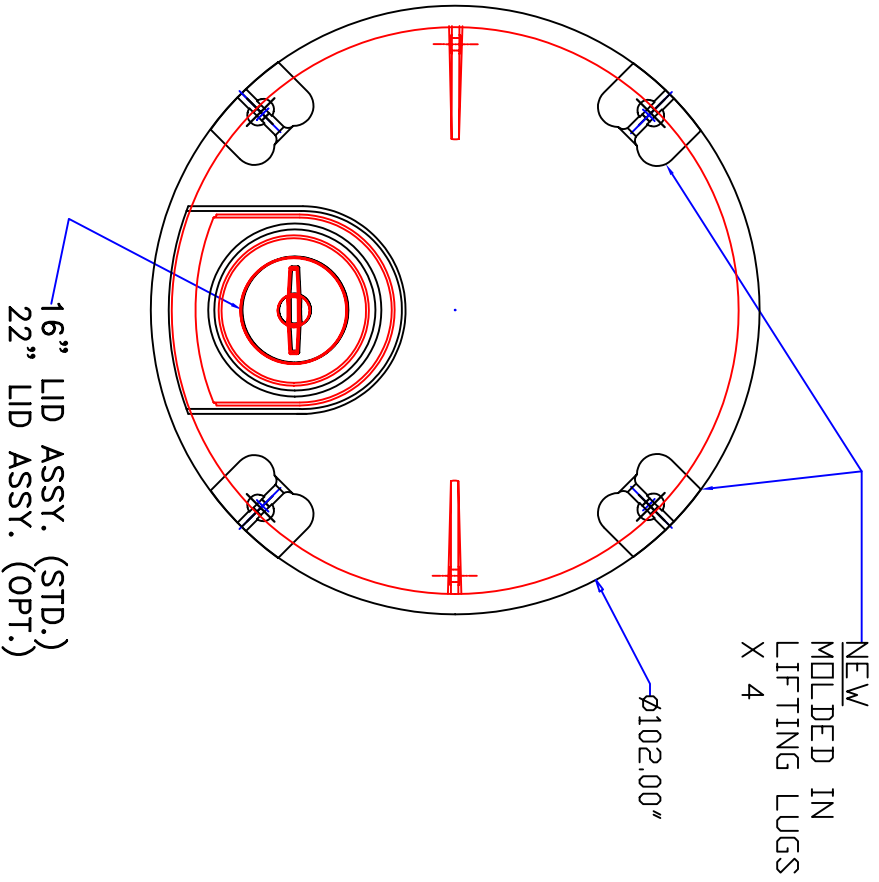
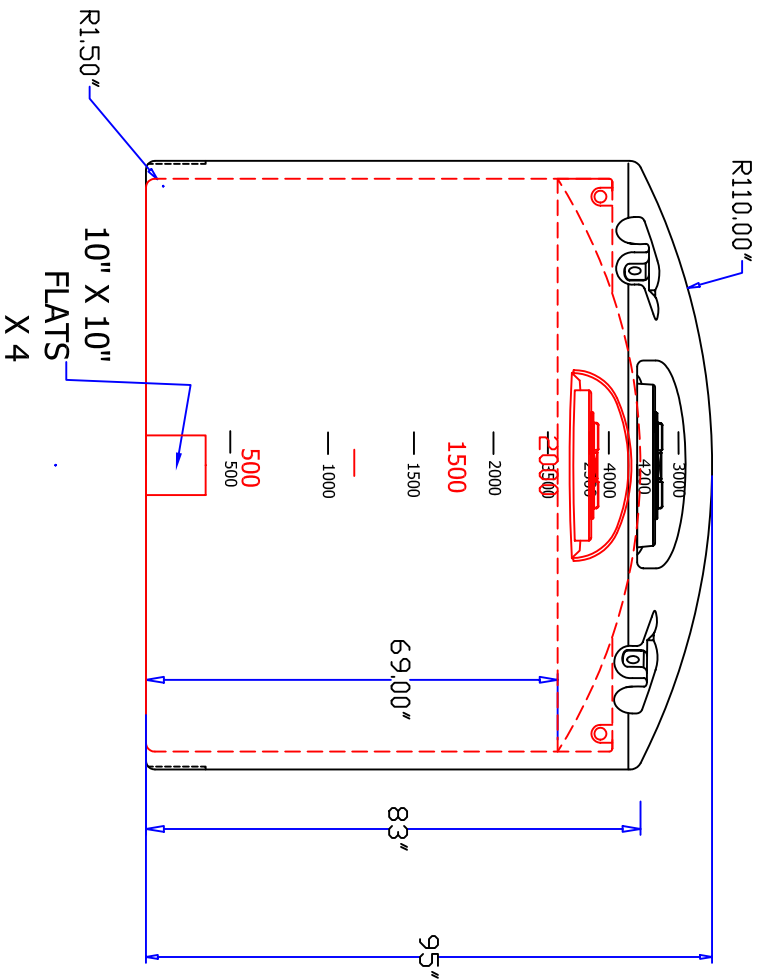


TOP VIEW



SIDE VIEW



REV	DESCRIPTION	DATE	APPRD

DRAWN / DATE	MATERIAL / SHOT WEIGHT
MPS/9/24/01	HDPE
APPRD. / DATE	LBS.

THIRD ANGLE PROJECTION ANSI 14.3M	NOTES:	CLIENT / DESCRIPTION
		2000-102 DUAL CONTAINMENT VERTICAL TANK

ALL DIMENSIONS ARE IN DECIMAL INCHES TOLERANCES UNLESS OTHERWISE SPECIFIED	
+ .5% @ 68° F	

--	--

SCALE	PART NO.
N.S.	VTBDC2000-95-102

BALLIFF ENTERPRISES, INC.
 8423 AIRLINE DRIVE, HOUSTON, TEXAS 77037
 PHONE (281) 447-5372 FAX (281) 999-1223