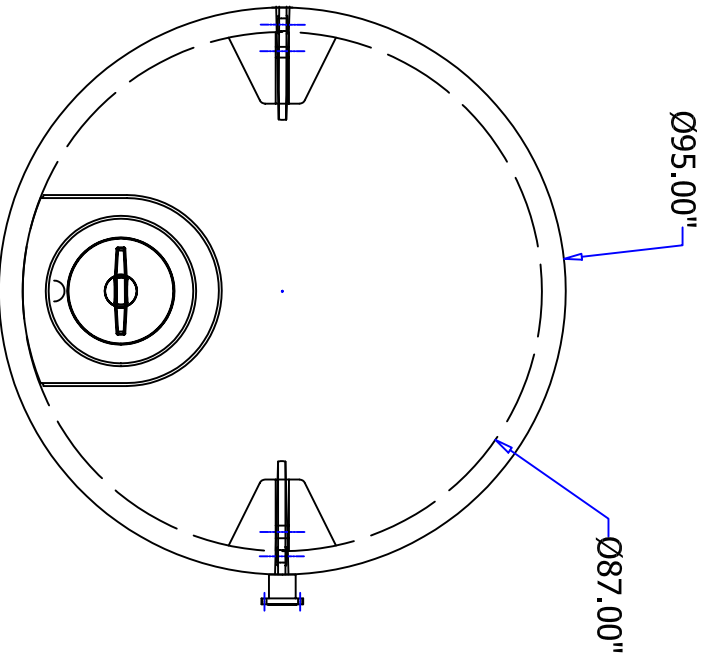
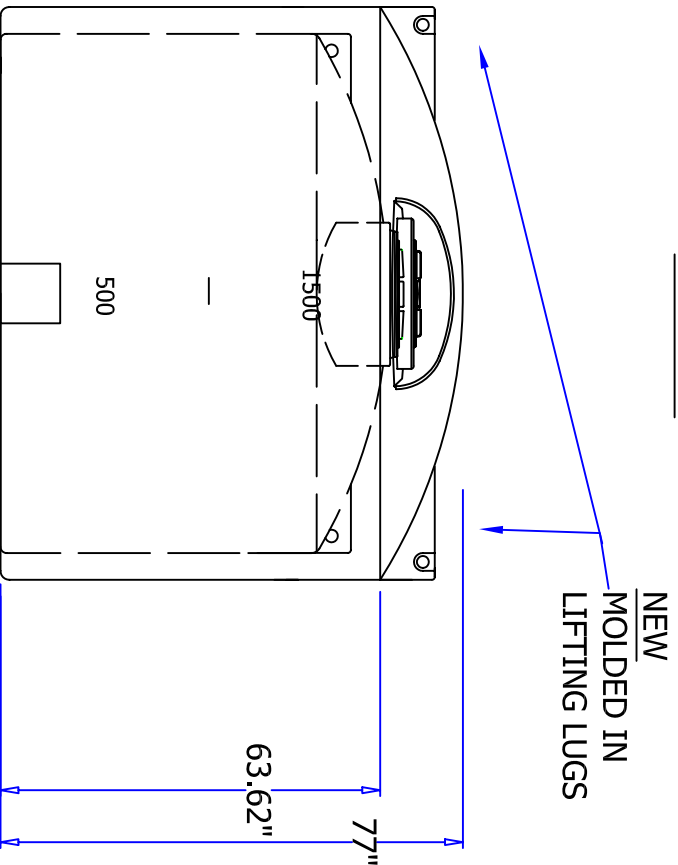


TOP VIEW



SIDE VIEW

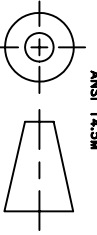


| | | | |
|-----|-------------|------|-------|
| REV | DESCRIPTION | DATE | APPRD |
| | | | |
| | | | |
| | | | |

DRAWN / DATE
MPS/1/16/03

APPRD. / DATE

THIRD ANGLE PROJECTION
ANSI 14.5M



MATERIAL / SHOT WEIGHT

NOTES:

CLIENT / DESCRIPTION

BALLIFF ENTERPRISES, INC.
8423 AIRLINE DRIVE, HOUSTON, TEXAS 77037
PHONE (281) 447-5372 FAX (281) 999-1223

1550 GALLON DUAL CONTAINMENT TANK

SCALE

N.S.

PART NO.

VTBDC1550-95

ALL DIMENSIONS ARE IN DECIMAL INCHES
TOLERANCES UNLESS OTHERWISE SPECIFIED

+ .5% @ 68° F