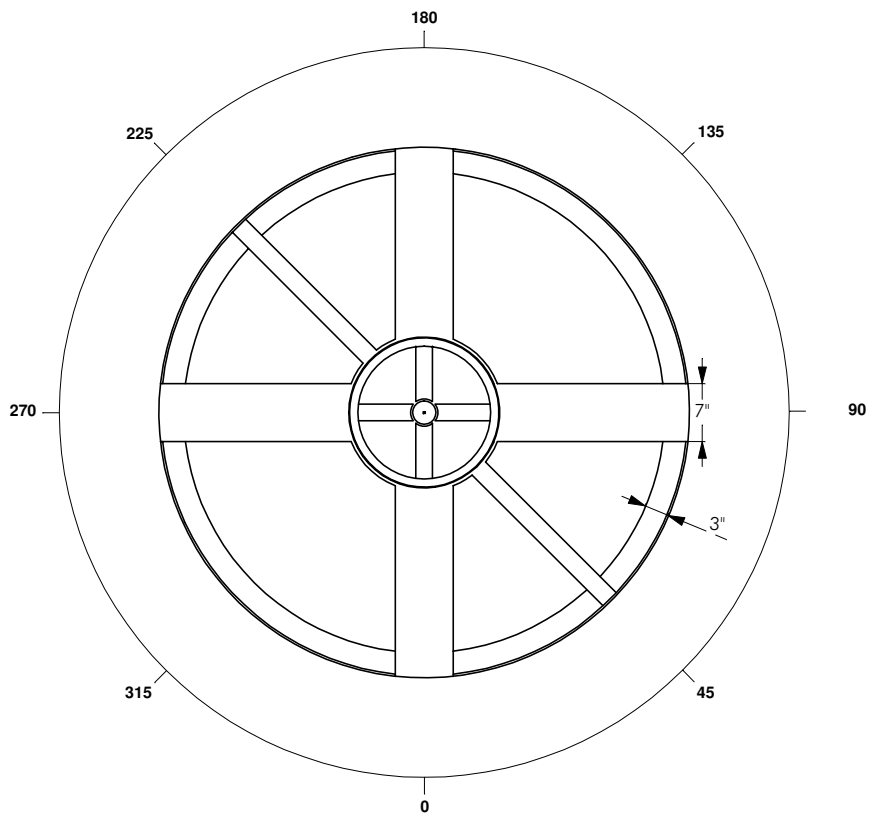


NSF 61 RESIN
1.9 SPECIFIC GRAVITY STANDARD
UV15 RATED
AVAILABLE IN COLORS
ATMOSPHERIC PREASURE ONLY
THREADED OR FLANGED FITTINGS AVAILABLE
RESINS AVAILABLE:
HDPE, POLYPRO, PVDF



| REV | DESCRIPTION | DATE | APPRD |
|-----|-------------|------|-------|
| | | | |
| | | | |
| | | | |

All dimensions are in decimal inches
 Tolerances unless otherwise specified
 +/- .5% at 68 degrees F.

| | |
|------------------------------------|----------------------------------------------|
| DRAWN BY / DATE DHALL / 8-10-20 | MATERIAL / SHOT WEIGHT HDPE 380 LBS. |
| APPROVED BY / DATE | NOTES: |
| THIRD ANGLE PROJECTION ANSI 14.5M | |

| | |
|-----------------------------------------------------------------------------------------------------------------------------------------------------|----------------------------------------|
| BAILIFF ENTERPRISES, INC. <small>302 North Thomason Road · Willis, Texas 77378 Phone 936.890.7777 · Fax 936.890.7773</small> | |
| CLIENT/DESCRIPTION 1,550 GALLON DOUBLE WALL VERTICAL TANK | |
| SCALE N.S. | PART NUMBER VTBDC01550-64-88 |