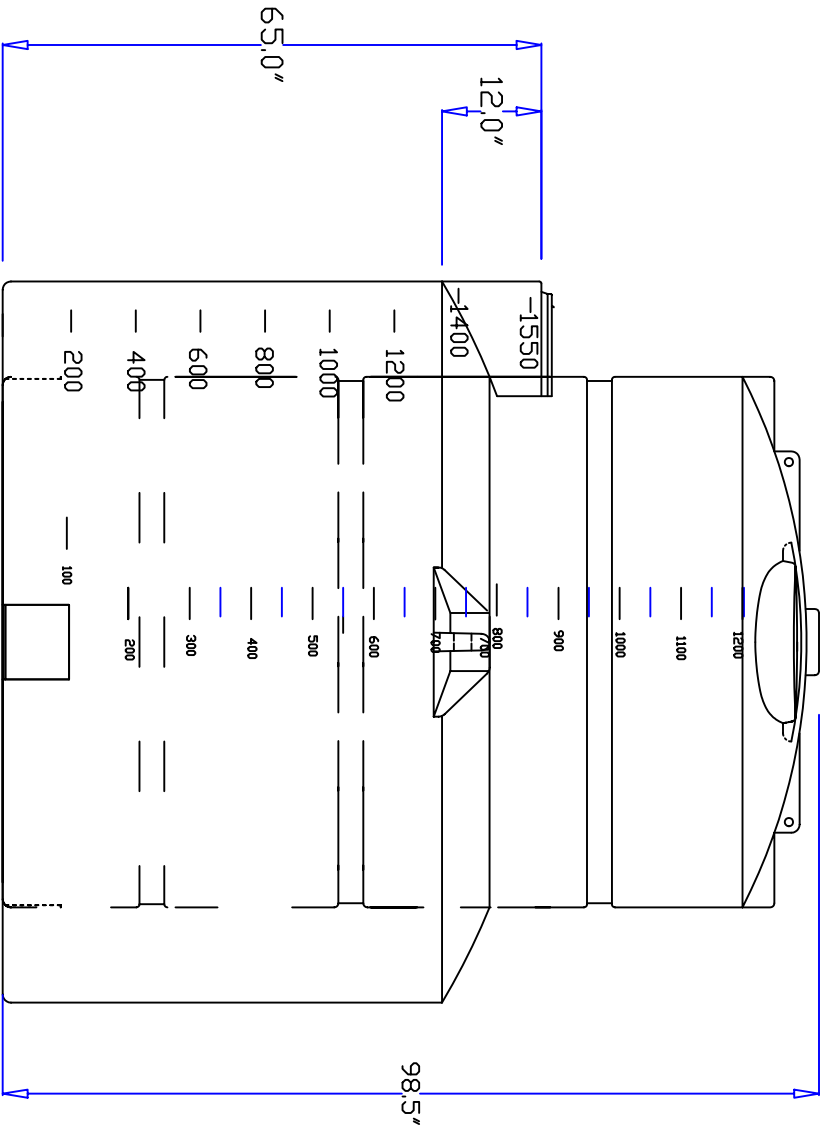
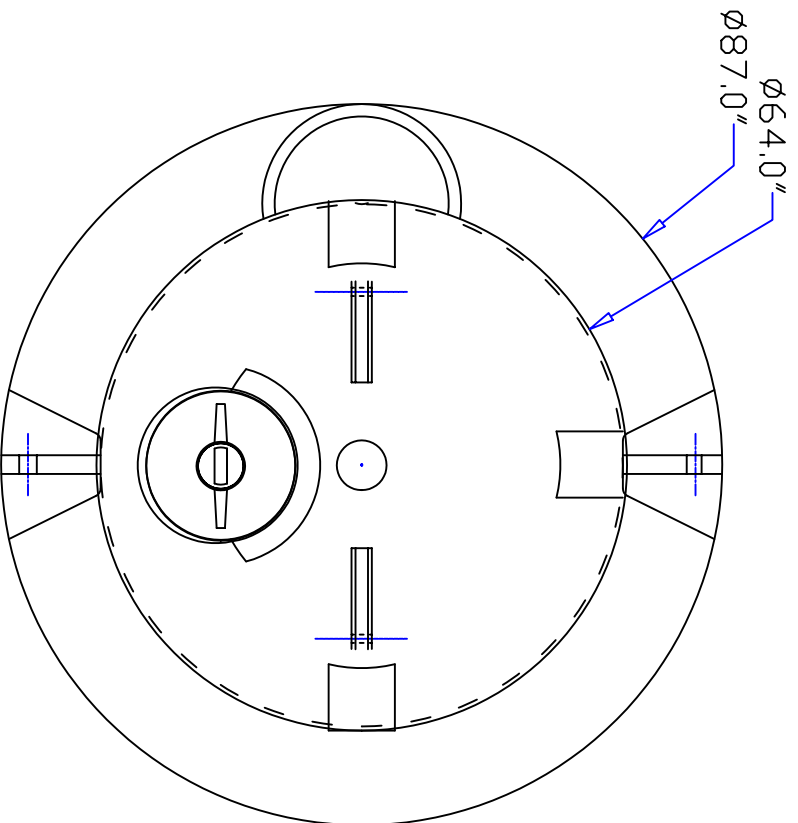


SIDE VIEW



PLAN VIEW



DRAWN / DATE  
MSYKES/1/7/01

APPRD. / DATE

MATERIAL / SHOT WEIGHT

HDPE 550 LBS.

NOTES:

HRP-111

**BALLIFF ENTERPRISES, INC.**

8423 AIRLINE DRIVE, HOUSTON, TEXAS 77037  
PHONE (281) 447-5372 FAX (281) 999-1223

CLIENT / DESCRIPTION

1200 VERTICAL DUAL CONTAINMENT

SCALE

N.S.

PART NO.

VTBDC1200-64-87

REV DESCRIPTION DATE APPRD

ALL DIMENSIONS ARE IN DECIMAL INCHES  
TOLERANCES UNLESS OTHERWISE SPECIFIED

+ .5% @ 68° F

THIRD ANGLE PROJECTION  
ANSI 14.3M

