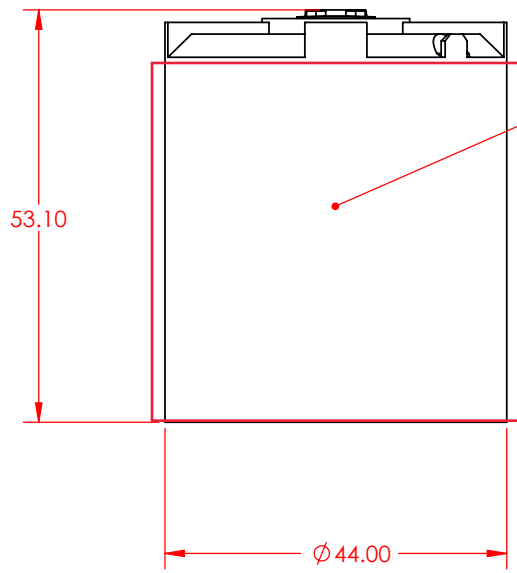
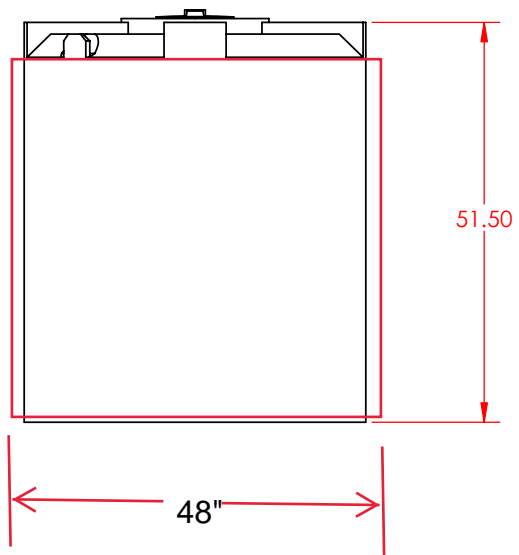


8 7 6 5 4 3 2 1

D

D



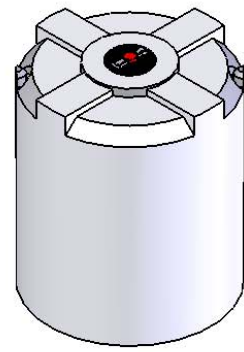
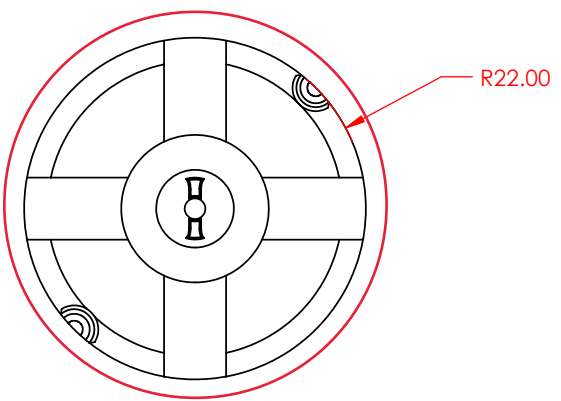
CALIBRATIONS

C

C

B

B



A

A

PROPRIETARY AND CONFIDENTIAL
 THE INFORMATION CONTAINED IN THIS DRAWING IS THE SOLE PROPERTY OF BAILIFF ENTERPRISES, INC. ANY REPRODUCTION IN PART OR AS A WHOLE WITHOUT THE WRITTEN PERMISSION OF BAILIFF ENTERPRISES, INC. IS PROHIBITED.

		UNLESS OTHERWISE SPECIFIED:		NAME	DATE
		DIMENSIONS ARE IN INCHES		DRAWN	Sykes 7/11/06
		TOLERANCES:		CHECKED	
				ENG APPR.	
				MFG APPR.	
		INTERPRET GEOMETRIC TOLERANCING PER:		Q.A.	
		MATERIAL		COMMENTS:	
NEXT ASSY	USED ON	FINISH			
APPLICATION		DO NOT SCALE DRAWING			

BAILIFF ENTERPRISES, INC. 8423 AIRLINE DRIVE HOUSTON, TEXAS 77037 281 447-5372 PHONE 281 999-1223 FAX		
TITLE: 310 GALLON VERTICAL STORAGE TANK		
SIZE B	DWG. NO. VTB310-44	REV
SCALE: 1:24	WEIGHT: 90 LBS	SHEET 1 OF 1

8 7 6 5 4 3 2 1