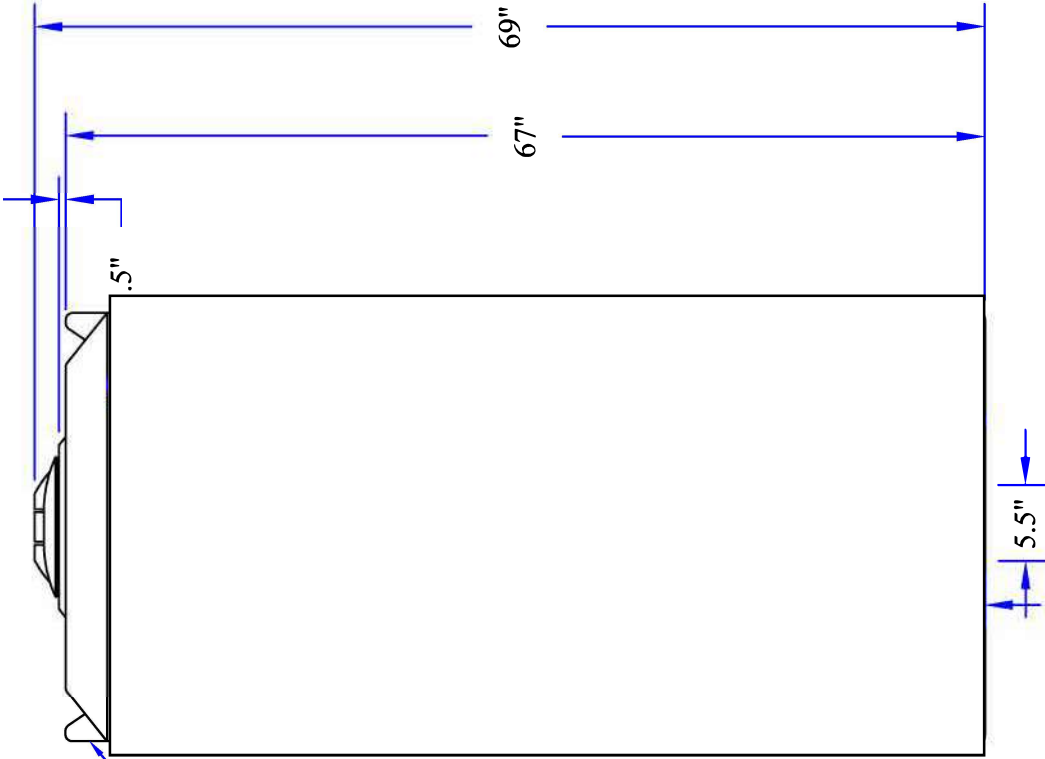
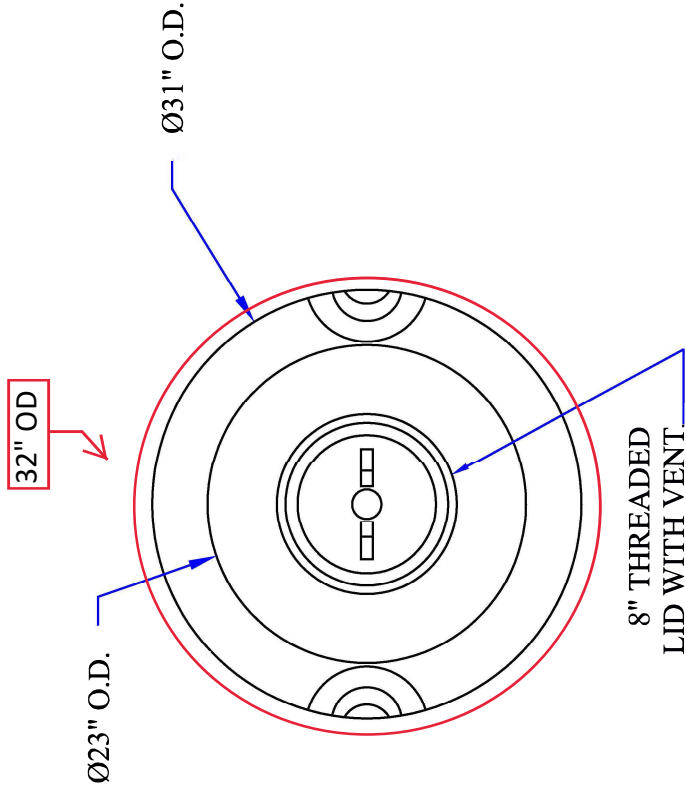


**SIDE VIEW**



**TOP VIEW**



**BAILIFF ENTERPRISES, INC.**  
 305 ROGERS ROAD, WILLS, TEXAS 77078

200 GALLON DOUBLE WALLVERTICAL TANK

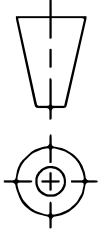
SCALE N.S. PART NO. VTBDC0200-32

MATERIAL / SHOT WEIGHT

HDPE

NOTES:

THIRD ANGLE PROJECTION  
 ANSI 14.5M



REV DESCRIPTION DATE APPRD

ALL DIMENSIONS ARE IN DECIMAL INCHES  
 TOLERANCES UNLESS OTHERWISE SPECIFIED  
 + .5% ● 68° F