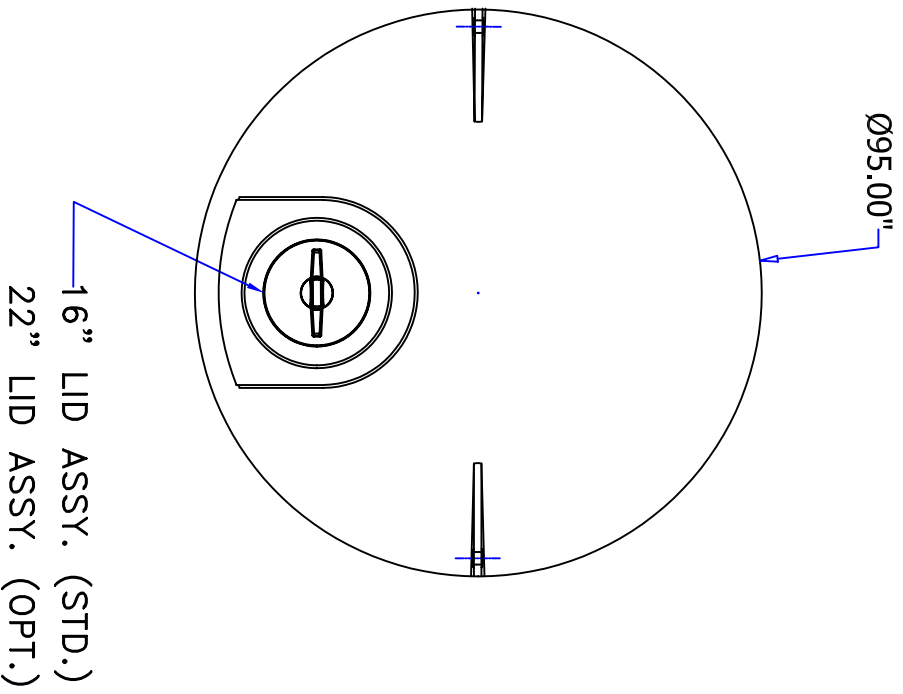
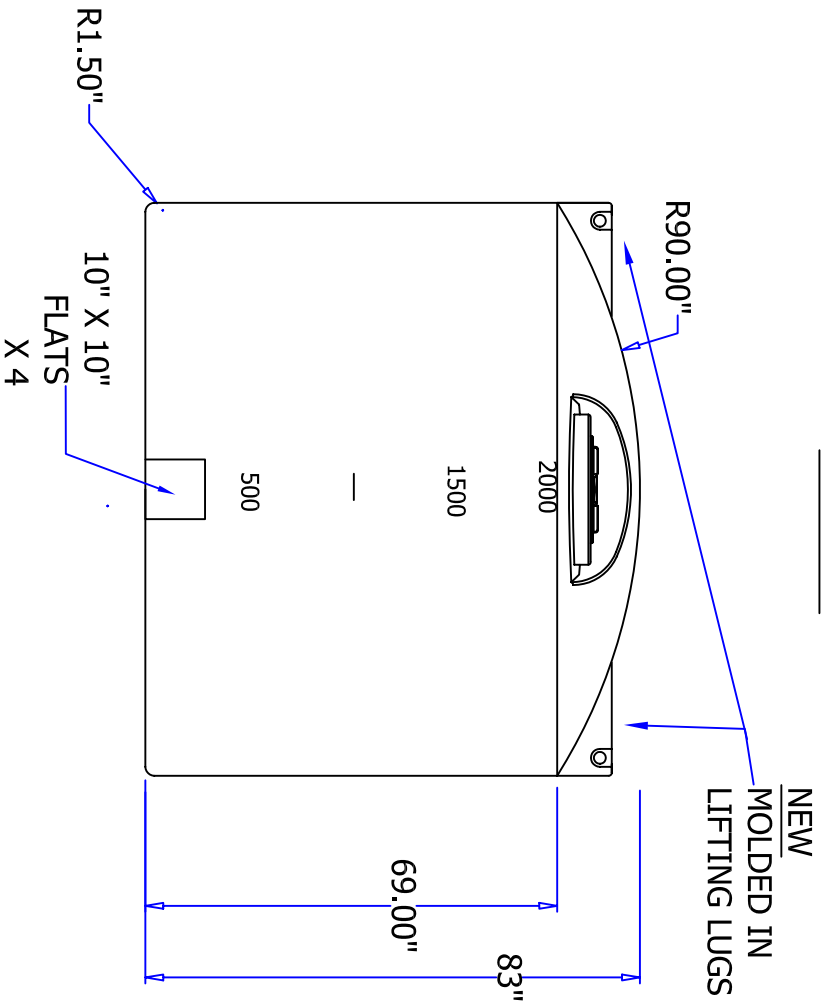


TOP VIEW



16" LID ASSY. (STD.)  
22" LID ASSY. (OPT.)

SIDE VIEW

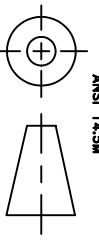


REV	DESCRIPTION	DATE	APPRD

DRAWN / DATE  
MPS/12/05/01

APPRD. / DATE

THIRD ANGLE PROJECTION  
ANSI 14.3M



MATERIAL / SHOT WEIGHT

HDPE 1.5 345 LBS.

HDPE 1.9 414 LBS.

NOTES:

**BALLIFF ENTERPRISES, INC.**  
8423 AIRLINE DRIVE, HOUSTON, TEXAS 77037  
PHONE (281) 447-5372 FAX (281) 999-1223

CLIENT / DESCRIPTION  
2000 GALLON VERTICAL TANK

SCALE

N.S.

PART NO.

VTB2000-95

ALL DIMENSIONS ARE IN DECIMAL INCHES  
TOLERANCES UNLESS OTHERWISE SPECIFIED  
+ .5% @ 68° F