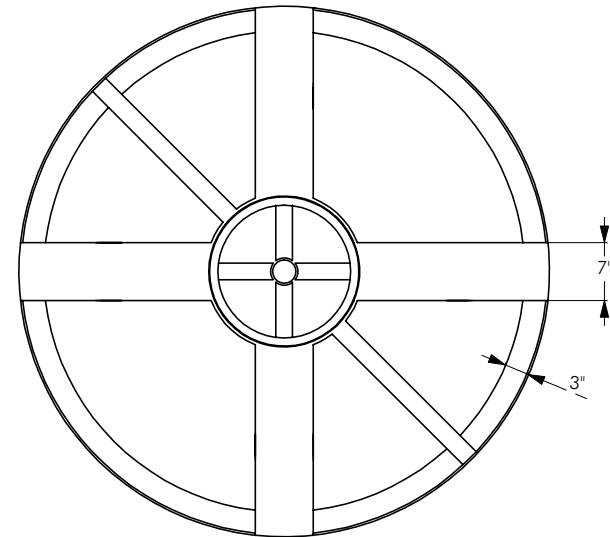


**GENERAL RESOURCES**  
**NATURAL - 1.9**  
**QUANTITY - 2**  
**OE019821**  
**LOAD THURSDAY 4-5 FOR FRIDAY DELIVERY**  
**DAN MILLER**



REV	DESCRIPTION	DATE	APPRD

**DRAWN BY / DATE**  
 DHALL / 12-7-17

**MATERIAL / SHOT WEIGHT**  
 HDPE      380 LBS.

**BAILIFF ENTERPRISES, INC.**  
 302 North Thomason Road · Willis, Texas 77378  
 Phone 936.890.7777 · Fax 936.890.7773

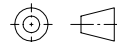
**APPROVED BY / DATE**

**NOTES:**

**CLIENT/DESCRIPTION**  
 1,550 GALLON VERTICAL TANK

All dimensions are in decimal inches  
 Tolerances unless otherwise specified  
 +/- .5% at 68 degrees F.

THIRD ANGLE PROJECTION ANSI 14.5M



**SCALE**  
 N.S.

**PART NUMBER**  
 VTB1550-64