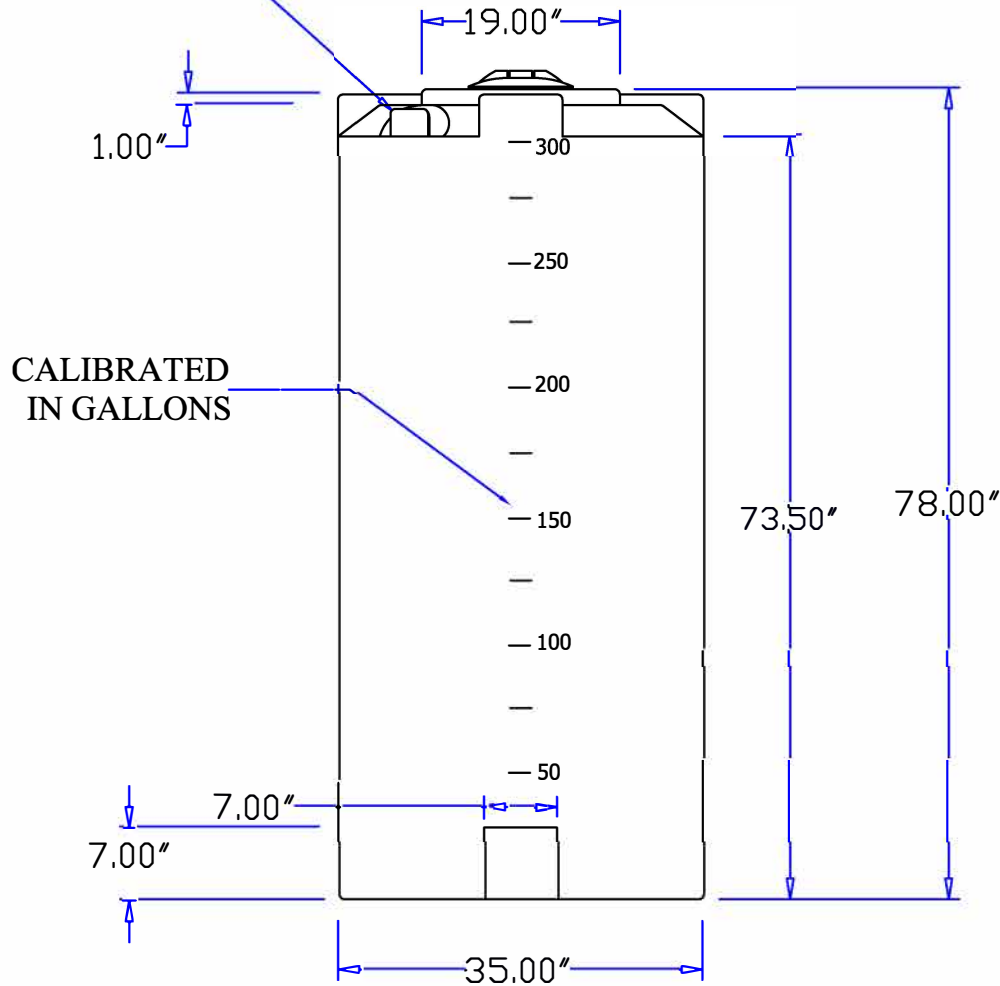
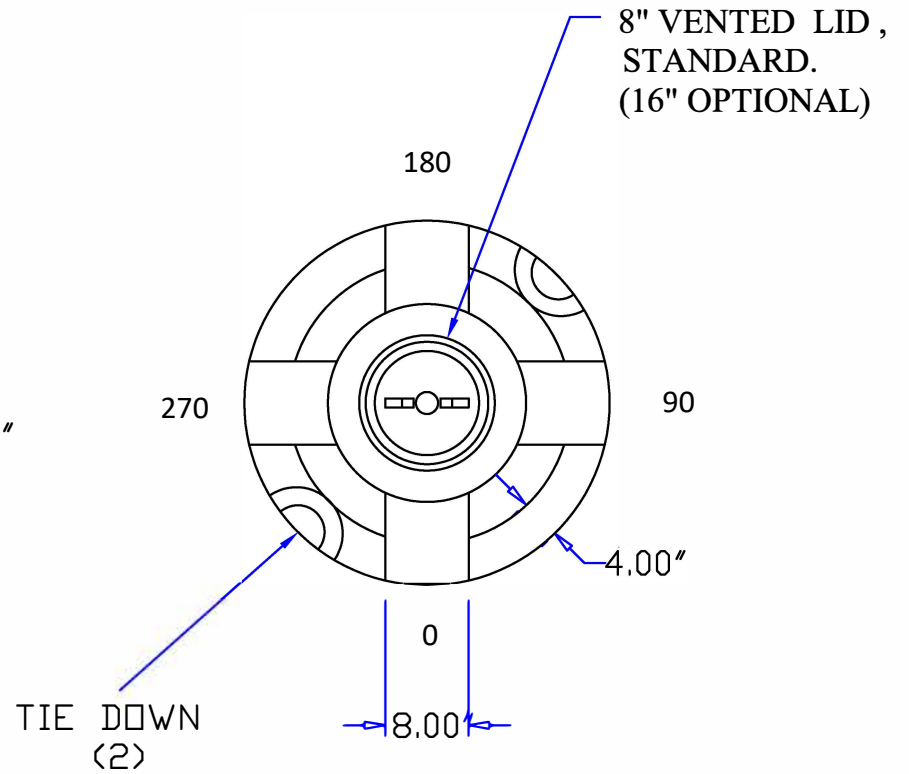


SIDE VIEW



TOP VIEW



REV1	PART #	1/9/03	MPS	DRAWN / DATE	MATERIAL / SHOT WEIGHT
				MPSYKES/5/12/03	HDPE, PP OR PVDF
REV	DESCRIPTION	DATE	APPRD	APPRD. / DATE	NOTES:
ALL DIMENSIONS ARE IN DECIMAL INCHES TOLERANCES UNLESS OTHERWISE SPECIFIED $\pm .5\% @ 68^\circ F$				THIRD ANGLE PROJECTION ANSI 14.5M 	

BAILIFF ENTERPRISES, INC. 302 N THOMASON, WILLIS, TX 77378	
CLIENT / DESCRIPTION 300 GALLON VERTICAL TANK	
SCALE	PART NO.
N.S.	VTB300-35