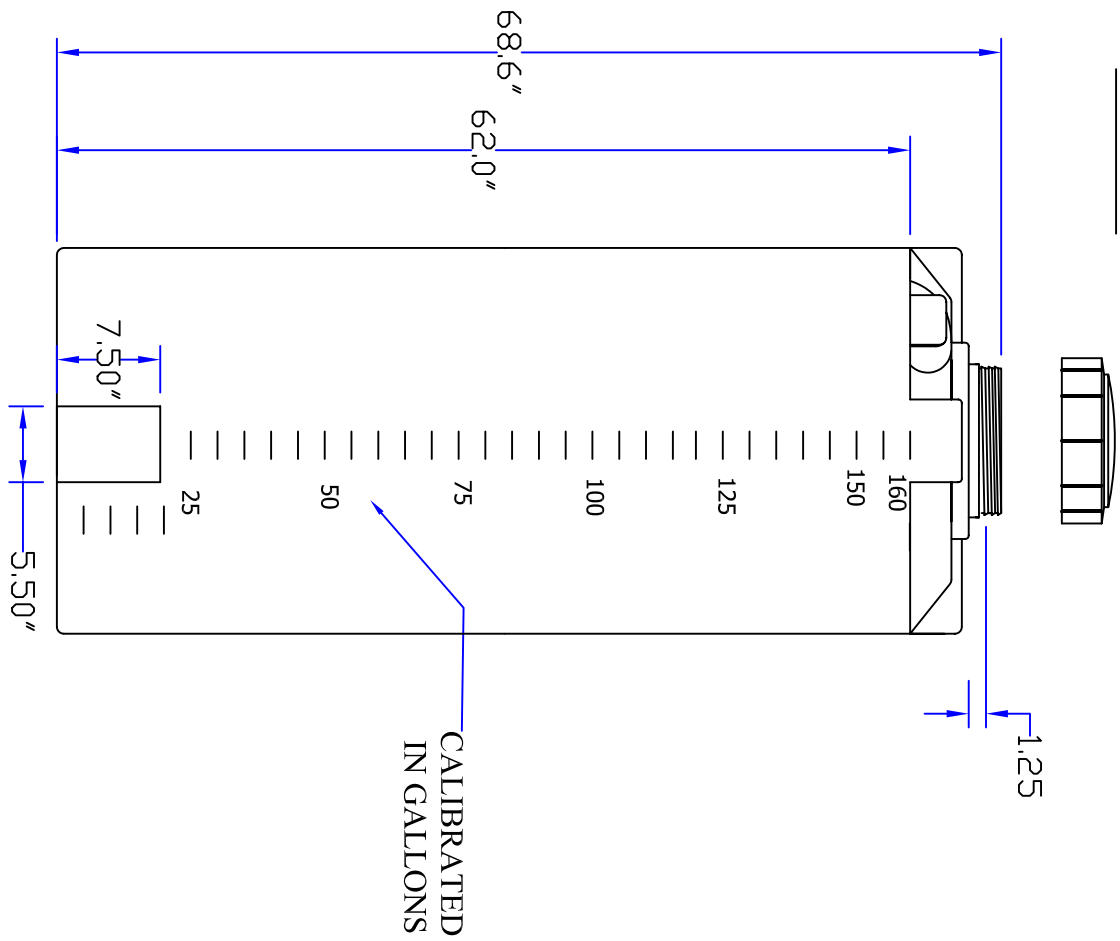
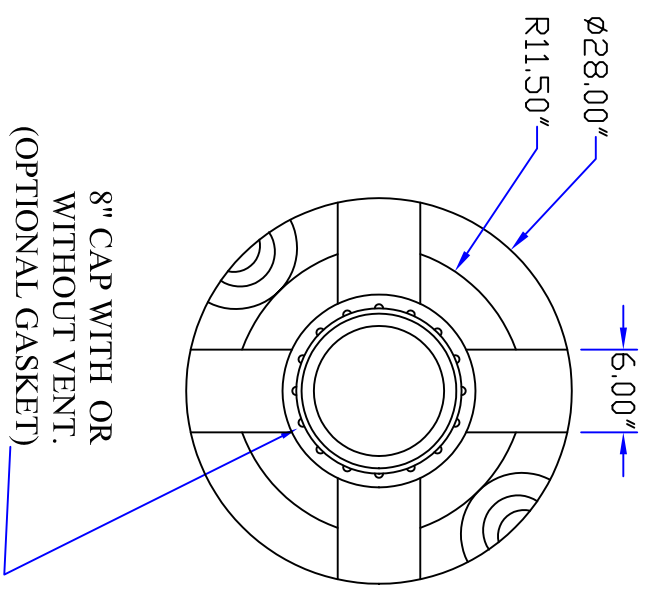


SIDE VIEW



TOP VIEW



REV	DESCRIPTION	DATE	APPRD

DRAWN / DATE		MATERIAL / SHOT WEIGHT	
MPS/04/02/03		HDPE	
APPRD. / DATE		LBS.	

THIRD ANGLE PROJECTION ANSI 14.5M		NOTES:	
CLIENT / DESCRIPTION		SCALE	
160 GALLON VERTICAL TANK		N.S.	

ALL DIMENSIONS ARE IN DECIMAL INCHES
TOLERANCES UNLESS OTHERWISE SPECIFIED
+ .5% @ 68° F

BALLIFF ENTERPRISES, INC.
8423 AIRLINE DRIVE, HOUSTON, TEXAS 77037
PHONE (281) 447-5372 FAX (281) 999-1223

PART NO. VTB160-28