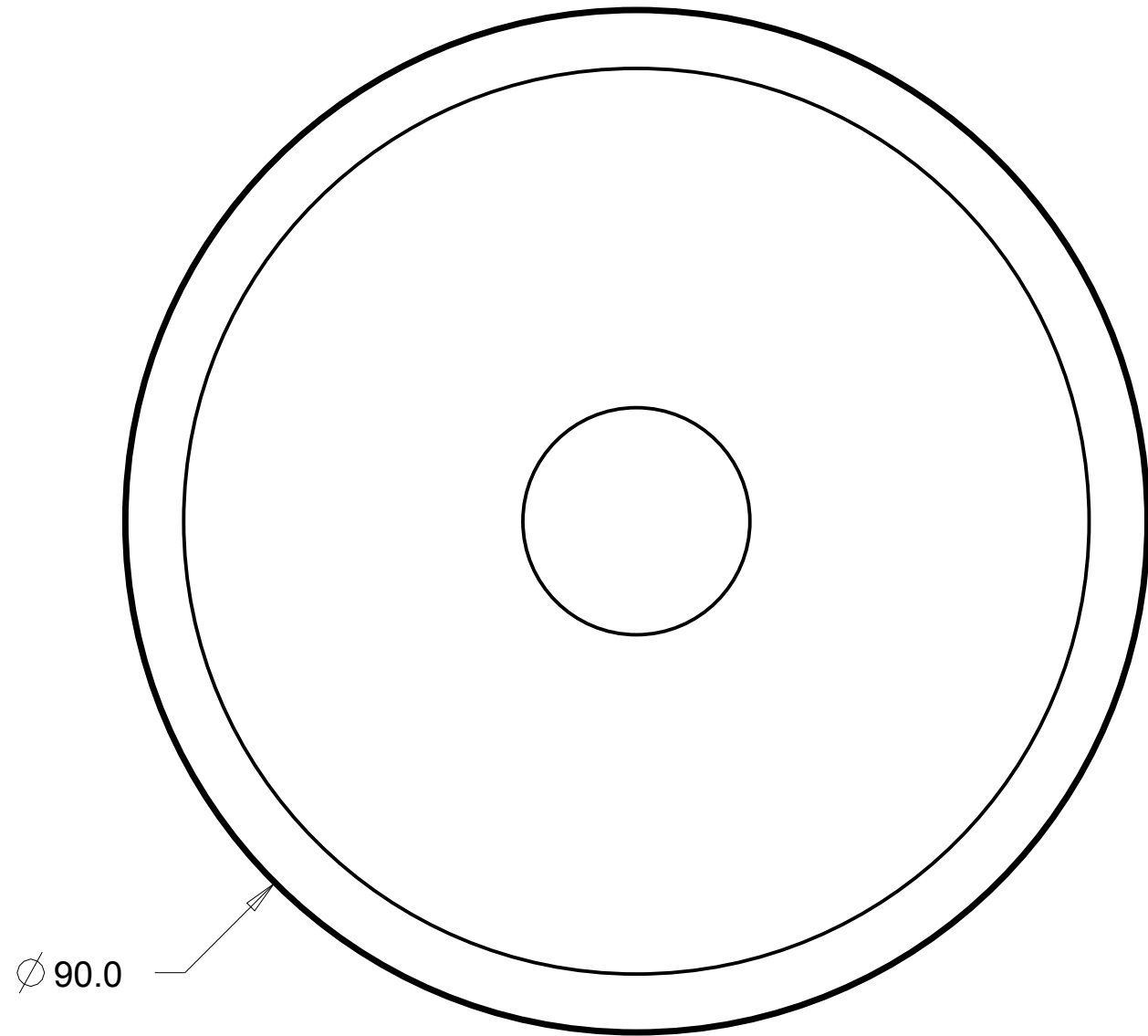
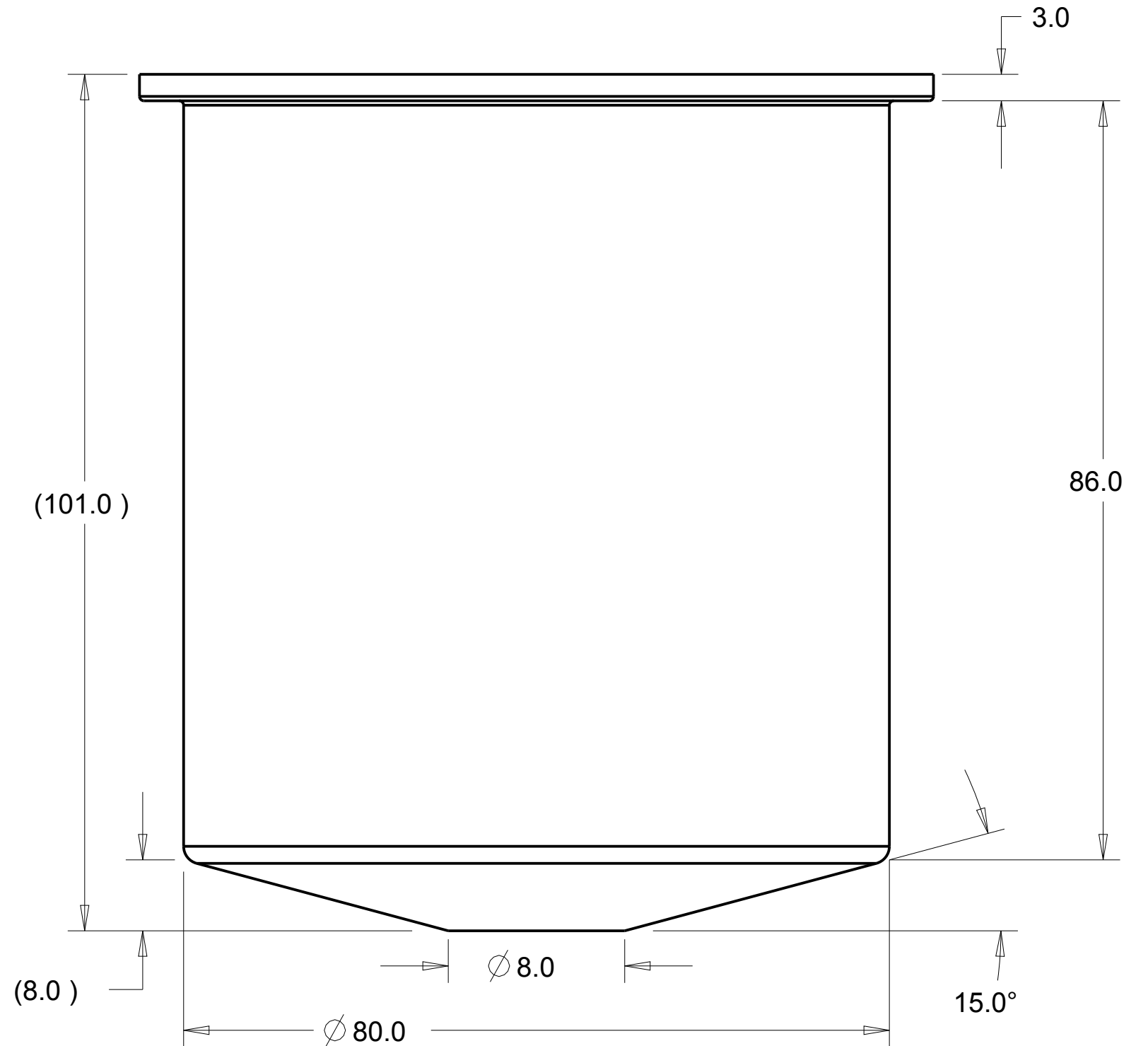


TOP VIEW



SIDE VIEW



NOTES:

- 1. THREADED OR FLANGED FITTINGS

| | | | |
|---|--------------------|---|--|
| MATERIAL STD: HDPE OPT: POLYPRO OPT: PVDF | SHOT WEIGHT TBD | BAILIFF ENTERPRISES, INC. 8423 AIRLINE DRIVE, HOUSTON, TEXAS 77037 PHONE (381) 447-5372 FAX (281) 999-1223 | |
| NOTES: ALL DIMENSIONS ARE IN DECIMAL INCHES TOLERANCES (UNLESS OTHERWISE SPECIFIED) $\pm .5\%$ @ 68 °F | | DESCRIPTION 2000 Gallon Tank - Open Top - Cone Bottom COLOR TBD PART NO. OTCB2000-80 CUSTOM TANK 1.9 SPECIFIC GRAVITY HEAVY WALL | |