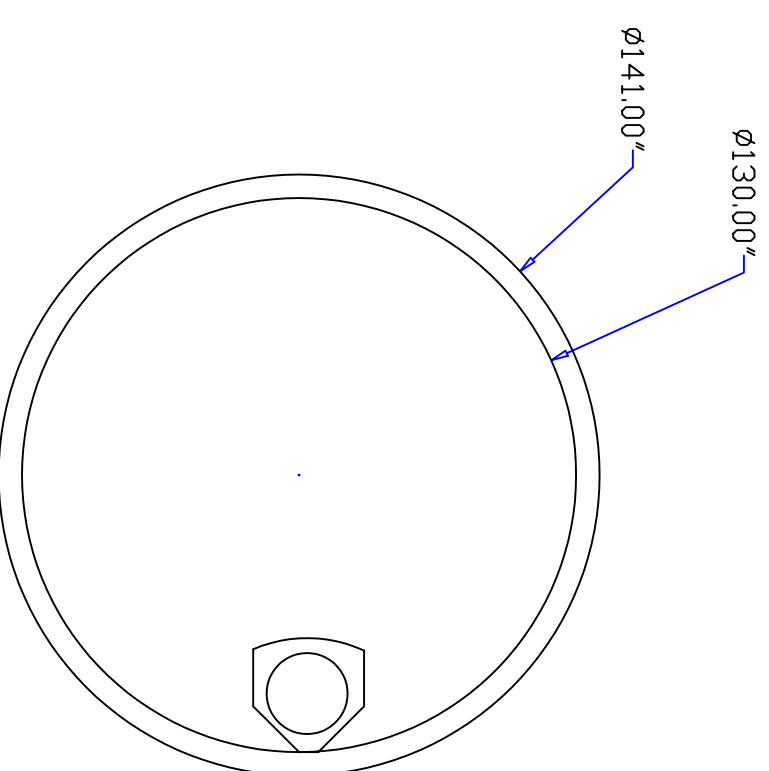
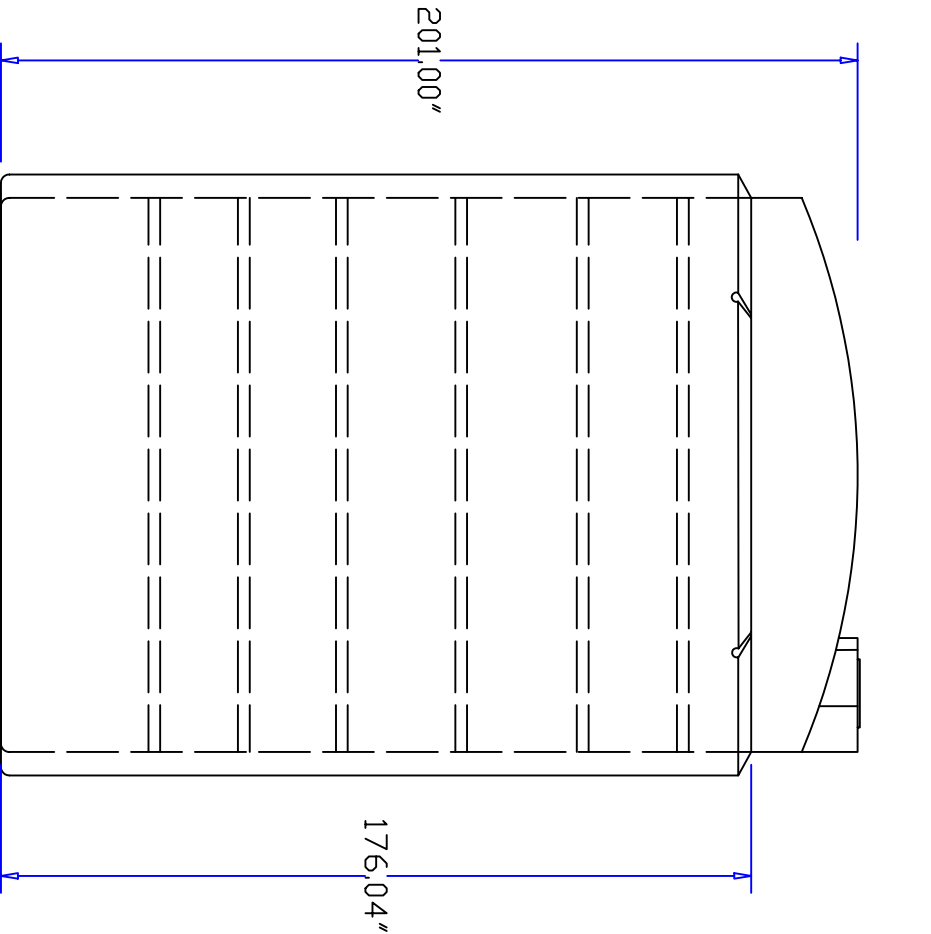


10500 GALLON VERTICAL DUAL CONTAINMENT



OUTER TANK=12,000 GALLONS
INNER TANK= 10,500 GALLONS

		DRAWN / DATE MPS/5/05/01	MATERIAL / SHOT WEIGHT				
		APPRD. / DATE	HDPE	LBS.			
REV	DESCRIPTION	DATE	APPRD	NOTES:			

ALL DIMENSIONS ARE IN DECIMAL INCHES
TOLERANCES UNLESS OTHERWISE SPECIFIED
+ .5% @ 68° F

THIRD ANGLE PROJECTION
ANSI 14.3M

SCALE
N.S.

PART NO.
10500 DUAL CONT.

BALLIFF ENTERPRISES, INC.
8423 AIRLINE DRIVE, HOUSTON, TEXAS 77037
PHONE (281) 447-5372 FAX (281) 999-1223

CLIENT / DESCRIPTION
10500 GALLON DUAL CONTAINMENT