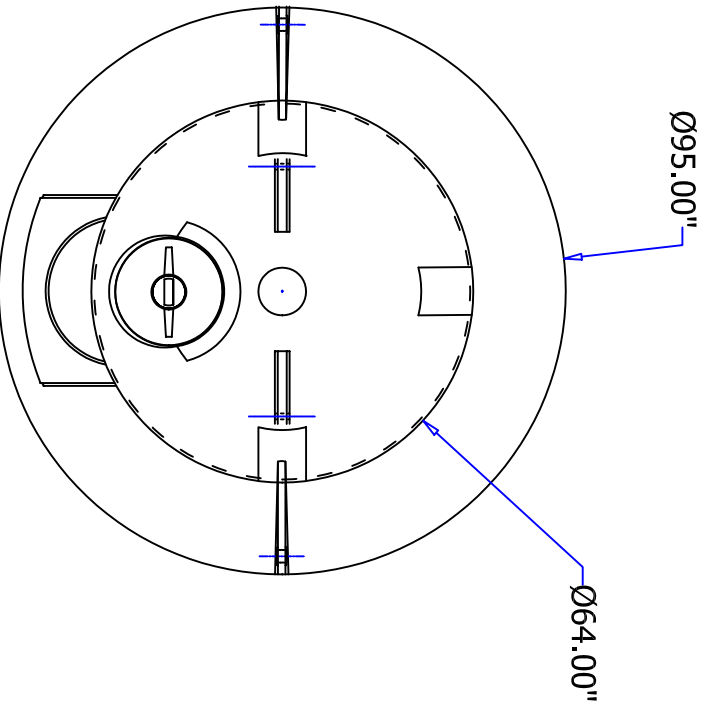
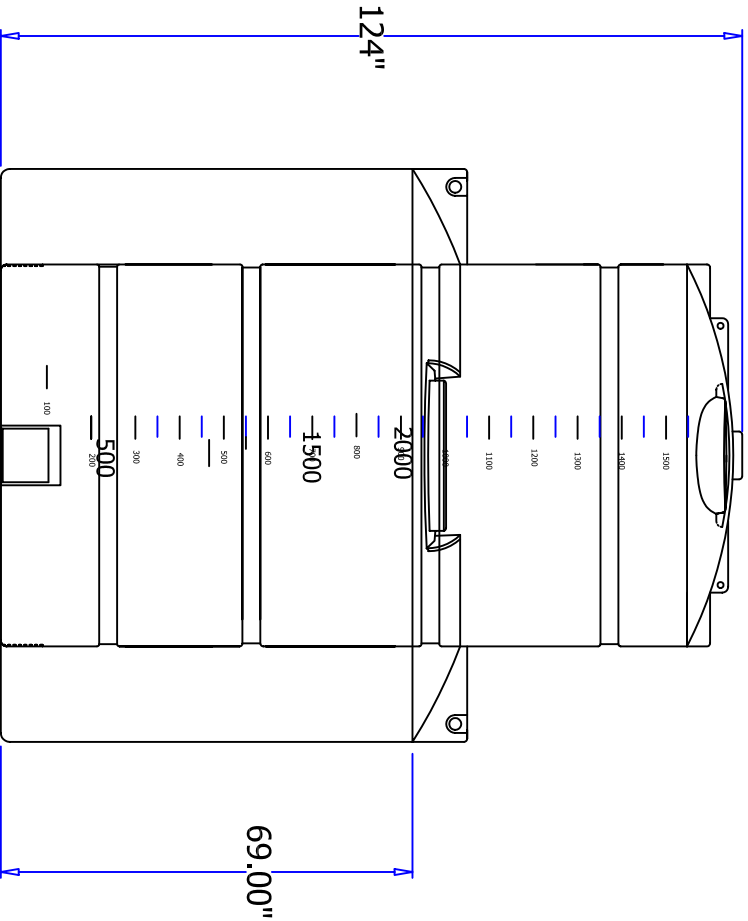


TOP VIEW



SIDE VIEW

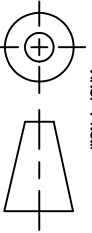


REV	DESCRIPTION	DATE	APPRD

DRAWN / DATE
MPS/12/05/01

APPRD. / DATE

THIRD ANGLE PROJECTION
ANSI 14.5M



ALL DIMENSIONS ARE IN DECIMAL INCHES
TOLERANCES UNLESS OTHERWISE SPECIFIED

+ .5% @ 68° F

MATERIAL / SHOT WEIGHT

HDPE 1.5 345 LBS.

HDPE 1.9 414 LBS.

NOTES:

CLIENT / DESCRIPTION

1550 GALLON DUAL CONTAINMENT SYSTEM

BALLIFF ENTERPRISES, INC.

8423 AIRLINE DRIVE, HOUSTON, TEXAS 77037
PHONE (281) 447-5372 FAX (281) 999-1223

SCALE

N.S.

PART NO.

VTB1550-64-95