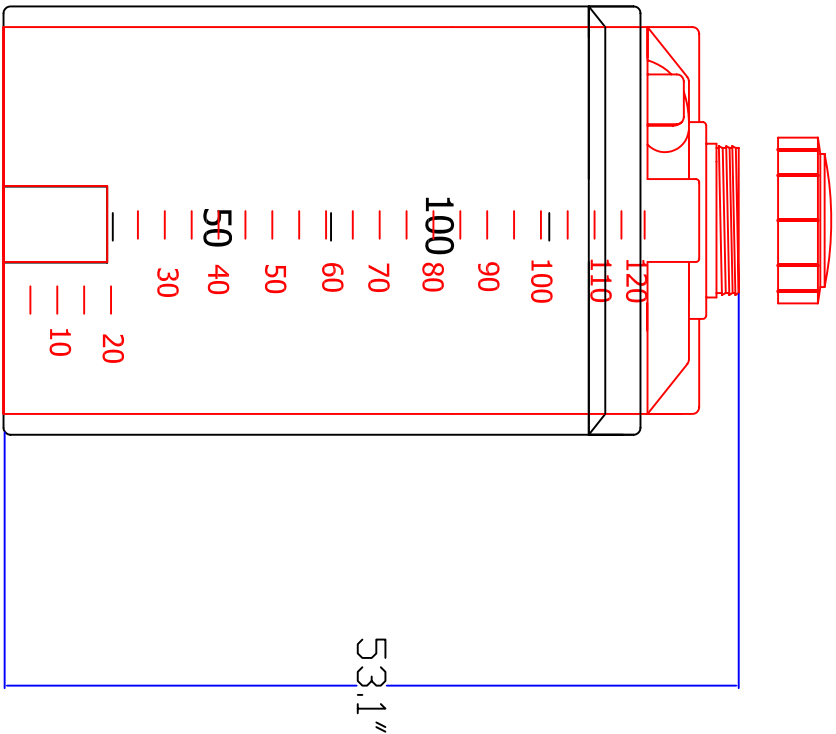
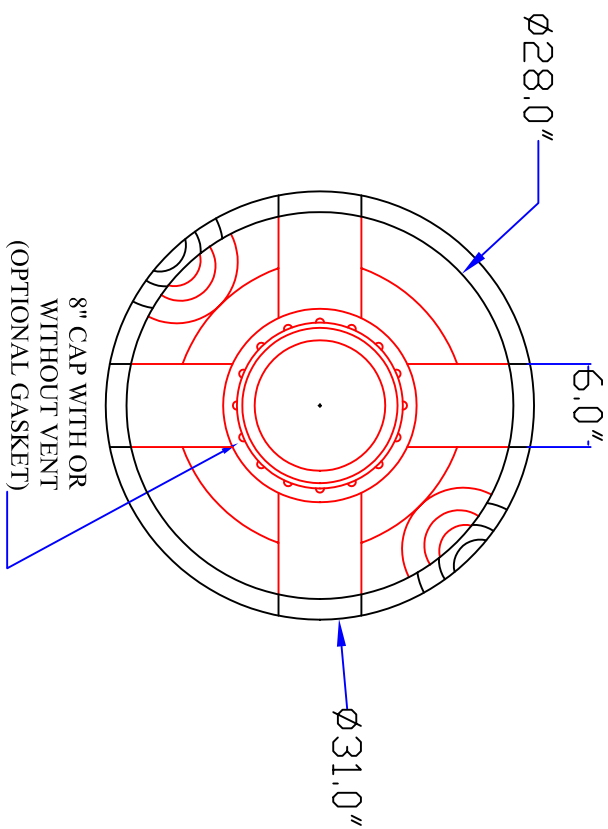


SIDE VIEW



TOP VIEW



REV	DESCRIPTION	DATE	APPRD

DRAWN / DATE		MATERIAL / SHOT WEIGHT	
MPS/6/15/03		HDPE LBS	
APPRD. / DATE		NOTES:	

BALLIFF ENTERPRISES, INC.
 8423 AIRLINE DRIVE, HOUSTON, TEXAS 77037
 PHONE (281) 447-5372 FAX (281) 999-1223

CLIENT / DESCRIPTION
 120GALLON VERTICAL DUAL CONTAINMENT TANK

ALL DIMENSIONS ARE IN DECIMAL INCHES			
TOLERANCES UNLESS OTHERWISE SPECIFIED			
+ .5% @ 68° F			

THIRD ANGLE PROJECTION
 ANSI 14.5M

SCALE	N.S.	PART NO.	VTBDC0120-31
-------	------	----------	--------------